

2025 SPRING PROGRAM

**BUY MORE
SAVE MORE
with Multi-Level
Pricing!**



USE PROMO CODE:
PRO-JRCO
WHEN ORDERING

PREMIUM COMMERCIAL MOWER ATTACHMENTS & MORE

TERMS / PARTS SPECIALS / HOT BUYS

Valid 12/1/24 - 3/31/25



**PAYMENT
TERMS**

TOTAL	TERMS
< \$2,500	Net 30
\$2,501 - \$5,000	Net 60
\$5,001 - \$8,000	Net 90
\$8,001 - \$12,000	Net 120
\$12,001+	Net 120

ATTACHMENTS

TINE RAKE DETHATCHER

MODEL # 471 SERIES | 473 SERIES

- Control thatch accumulation
- Patented tines lift thatch without damaging healthy turfgrass
- Comb matted grass giving the lawn a clean, hand-raked look
- Use to rake-in seed and accelerate germination
- Reduce chances of turf disease
- The ultimate spring cleanup tool
- Perfect for summer to surface aerate the soil



FIND YOUR TINE RAKE

To find the tine rake dethatcher and mount bar that fit your mower, use our online configurator.

Scan the QR code or visit

<https://www.gnedi.com/MODEL-470-SERIES.com>.

HOT BUYS

ITEM#	Width	Mount Bar	Caster Wheels	Retail	Dealer	Qty 1	Qty 4
473/36.JRC	36in.	Included	Standard	\$893	\$669	\$602	\$584
473/46.JRC	46in.	Included	Standard	\$905	\$678	\$610	\$592
473/60.JRC	60in.	Included	Standard	\$955	\$716	\$644	\$625
H473/60.JRC	60in.	Included	Heavy-Duty	\$1,031	\$773	\$696	\$675

ITEM#	Width	Mount Bar	Caster Wheels	Retail	Dealer	Qty 1	Qty 4
471/36.JRC	36in.	Sold Separately	Standard	\$694	\$520	\$468	\$454
471/46.JRC	46in.	Sold Separately	Standard	\$708	\$531	\$478	\$464
471/60.JRC	60in.	Sold Separately	Standard	\$758	\$568	\$511	\$496
H471/60.JRC	60in.	Sold Separately	Heavy-Duty	\$836	\$627	\$564	\$547

*Please provide mower brand, model and deck size when ordering.

One Mount Bar – Many Attachments

Buy the mount bar once and use the same mount bar for all future attachment purchases!*

*One mount bar needed per mower make/model.



Please provide mower brand, model and deck size when ordering, or to use our online Find My Mount Bar configurator, scan the QR code or visit <https://www.gnedi.com/JRCO-MOUNT-BAR>.



MOUNT BAR PACKAGE

MSRP: \$227 | Dealer: ~~\$170~~ | SPECIAL: \$161.50

ATTACHMENTS



ELECTRIC BROADCAST SPREADER

MODEL # 503 | #504 | #504U

- Spread all types of granular and pelletized fertilizer, seed, and ice-melt
- Heavy-duty sealed, direct drive, 12V electric motor
- 2.2 cu ft polyethylene hopper
- 120 lbs capacity
- 503: fits zero turn mowers; foot control for spreader
- 504: fits stand-on and walk-behind mowers/aerators; hand control for spreader
- 504U: fits receiver mount mowers, aerators, and UTVs; hand control for spreader

Mount Bar Sold Separately

503 Zero Turn Mount Electric Broadcast Spreader



504U Receiver Mount Electric Broadcast Spreader



504 Stand-On/Walk-Behind Mount Electric Broadcast Spreader



Accessories

HOT BUYS

ITEM#	Fits	Retail	Dealer	Qty 1	Qty 4
503.JRC	Zero Turn Mowers	\$1,540	\$1,156	\$1,040	\$1,009
504.JRC	Stand-On & Walk-Behind Mowers	\$1,540	\$1,156	\$1,040	\$1,009
504U.JRC	Receiver Mount Mowers, Aerators, UTVs	\$1,540	\$1,156	\$1,040	\$1,009

ITEM#	Description	Retail	Qty 1	Qty 4
7053.JRC	Optional Side Deflector Kit	\$231	\$173.25	\$158.00
8436.JRC	Stainless Steel Screen	\$147	\$110.25	\$101.00

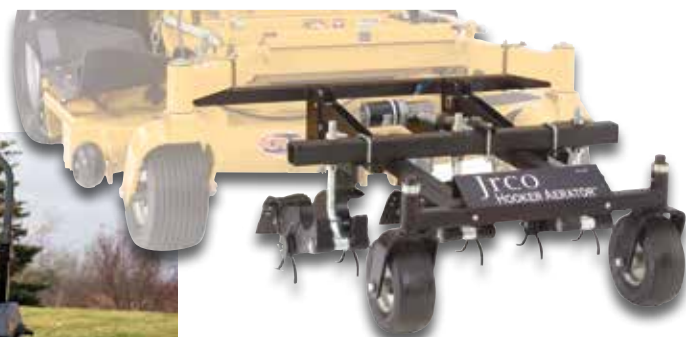
Mounts for 504U

ITEM#	Description	Retail	Dealer
200S.JRC	2in. Hitch Mount U/V	\$282.98	\$196.35
125S.JRC	1.25in U/V Hitch Front Mount	\$259.35	\$175.35
125L.JRC	1-1/4in. 500 U-V Rear Mount EXT LONG-SA	\$284.55	\$190.05
125ADAP.JRC	Hitch Adaptor 2in. TO 1 1/4in.-SA	\$94.13	\$67.73

HOOKER™ AERATOR

MODEL # 751

- 38in. wide aerator
- Six floating rotor heads
- Aerates 66,000 sq ft per hour at 5 mph
- Casters swivel allowing turning while aerating
- Electric actuator lifts the heads for transport
- Holes approximately .5in. W x 1.25in. L x 3in. D
- Mount bar sold separately (see pg. 2)
- Patented design



TUNE-UP KITS AVAILABLE
See page 5

HOT BUYS Accessories

ITEM#	Description	Retail	Dealer	Qty 1	Qty 4	ITEM#	Description	Retail	Qty 1	Qty 4
751.JRC	Front Mount Hooker Aerator	\$2,890	\$2,168	\$1,951	\$1,893	15W.JRC	#751 Mount for Walker Mower	\$454.65	\$340.20	\$311.00

CALL (800) 822-0295 or VISIT www.gnedi.com

Pricing subject to change without notice.

ATTACHMENTS

TOW-BEHIND HOOKER™ AERATOR

MODEL #753 | #755

- Electric actuator lifts the heads for transport
- Holes approximately .5in. W x 1.25in. L x 3in. D
- Two-point rear hitch included
- No mount bar needed
- Patented design



**TUNE-UP
KITS AVAILABLE**
See page 8



ITEM#	Width	Rotor Qty	Sq Ft/Hr @ 5MPH	Retail	Qty 1	Qty 4
753.JRC	38in.	6	66,000	\$3,202	\$2,401	\$2,305
755.JRC	60in.	10	105,000	\$4,910	\$3,683	\$3,536

COMMERCIAL AERATORS & ROLLERS

- Spike aerators are ideal for sandy soils and lawns where you may not want to leave plugs behind such as golf courses
- Plug aerators are ideal for clay soils and large lawns
- Lawn rollers are ideal for smoothing rough soil and sodding, seeding, and lawn preparation
- All rollers easily attach to your riding mower
- 1in. drum shaft with greasable ball bearings



SPIKE AERATORS

ITEM#	Aeration Width	Tine Qty	Retail	Qty 1	Qty 4
MSAT36.MAX	36in.	78	\$869	\$652	\$632
MSAT48.MAX	48in.	102	\$1,019	\$764	\$741
MSA3P48.MAX	48in. (3-Point Hitch)	102	\$1,129	\$847	\$821

PLUG AERATORS

ITEM#	Aeration Width	Tine Qty	Retail	Qty 1	Qty 4
MSP36.MAX	36in.	36	\$1,129	\$847	\$821
MSP48.MAX	48in.	48	\$1,279	\$959	\$930

LAWN ROLLERS

ITEM#	Aeration Width	Tine Qty	Retail	Qty 1	Qty 4
MLR36.MAX	36in.	N/A	\$669	\$502	\$487
MLR48.MAX	48in.	N/A	\$819	\$614	\$596
MLR3P48.MAX	48in. (3-Point Hitch)	N/A	\$869	\$652	\$632

SPOT SPRAYER

MODEL #300 | #310

- Spot spray weeds from the comfort of your mower
- Low profile design allows for good visibility
- 6 gallon tank capacity with single 145 anti-drip nozzle
- 1 GPM, 10-20 PSI pump runs off the tractor's 12V battery
- Model: 300: includes 12ft. spray hose and wand with adjustable cone pattern for spraying along edging or fence lines
- Mount bar sold separately (see pg. 2)



ITEM#	Description	Retail	Qty 1	Qty 4
310.JRC	Standard Sprayer	\$509	\$382	\$366
300.JRC	12ft. Spray Hose & Wand Included	\$611	\$458	\$440

TRANSPORTER TRAY

MODEL #490

- Uses mower's power to transport landscape materials, grass or leaf clippings, lawn debris, or landscape equipment
- Tray dimensions: 20in.W x 30in.L x 3in.H
- Tray can be positioned for maximum visibility and easy dumping
- For use with walk-behind mowers only
- Tub sold separately
- Mount bar sold separately (see pg. 2)



Optional 56 Gallon Tub Sold Separately Item # 6075.JRC

ITEM#	Description	Retail	Qty 1	Qty 4
490.JRC	Transporter Tray Attachment	\$389	\$292	\$280

Accessories

ITEM#	Description	Retail	Qty 1	Qty 4
6075.JRC	56 Gallon Tub	\$180.60	\$135.45	\$124.00
490HDK.JRC	Heat & Deflector Kit	\$67.20	\$50.40	\$46.00

ATTACHMENTS

LEAF PLOW

MODEL #480

- 55in. wide plow for moving large piles of leaves
- Uses mower's power to quickly move piles of leaves
- One-piece galvanized steel blade with supports for durability
- Leaf blade rides on two adjustable center wheels
- Flat 4.5in. long stainless steel spring tines
- Spring tines allow plow to push leaves over uneven surfaces without damaging turf
- Mount bar sold separately (see pg. 2)



TUNE-UP KITS AVAILABLE



ITEM#	Description	Retail	Qty 1	Qty 4
480.JRC	Leaf Plow Attachment	\$646	\$485	\$465

BLOWER BUGGY CARRIER

MODEL #601

- Designed to hold walk-behind blowers on the front of zero-turn mowers
- Moves yard debris with speed and ease
- Heavy-duty tubular steel frame
- Buggy adjusts to fit most walk-behind blowers
- Blower secures with 3 straps
- 2 front caster wheels for easy maneuverability
- One person can quickly load or unload
- Mount bar sold separately (see pg. 2)



Walk-behind blower not included.

ITEM#	Description	Retail	Qty 1	Qty 4
601.JRC	Blower Carrier Attachment	\$828	\$639	\$614

CALL (800) 822-0295 or VISIT www.gnedi.com

Pricing subject to change without notice.

ACCESSORIES

UNIVERSAL SUN SHIELD

MODEL #3641SB | #4550SB

- Stay cool and shaded, blocked from the heat and damaging sun rays
- Fully adjustable (forward, level, and rear leaning)
- UV stable ABS retains its shape and color
- Universal bracket will fit all ROPS systems
- Easy to remove top to fold ROPS



Hardware Kit for Round ROPS 2.5" Radius

ITEM#	Fits	Retail	Qty 1	Qty 4
3641SB.JRC	Mowers with Square ROPS Hardware	\$502.95	\$397.00	\$364.00

ITEM#	Fits	Retail	Qty 1	Qty 4
4550SB.JRC	Tractors	\$656.25	\$492.45	\$450.00

Accessories

ITEM#	Description	Retail	Qty 1
3641-RD.HDW.JRC	Optional Hardware for Round ROPS	\$71.42	\$54.28

TRASH RECEPTACLE KITS

MODEL #08BH | #09BH | #10BH

- Save time, money, and hassle - stay in your seat when picking up trash and debris from your lawn
- Carry up to a 5 gallon bucket on your mower
- Use with the EZ Reacher (#40S-DC-1)
- 5 gallon bucket not included



ITEM#	Mount Type	Retail	Qty 1	Qty 8
08BH.JRC	Frame Mount	\$72.45	\$51.87	\$50.00
09BH.JRC	Roll Bar Mount	\$72.45	\$51.87	\$50.00
10BH.JRC	JRCO Mount Bar Mount*	\$56.70	\$40.90	\$39.00

*Requires JRCO Mount Bar sold separately

EZ REACHER

MODEL #40S-DC-1

- Pick up bottles, sticks, pine cones, apples, bags, wrappers, and other litter and debris from the seat of your mower
- Black plastic pistol grip is lightweight and easy to use
- Rustproof stainless steel fingers and strong aluminum shaft
- 40in. length



ITEM#	Description	Retail	Qty 1	Qty 8
40S-DC-1.JRC	EZ Reacher	\$26.25	\$18.95	\$17.10

5% OFF ALL PARTS
TUNE-UP KITS INCLUDED!

Offer only available during Spring Program. Call for more information (800) 822-0295

FIND YOUR MOUNT BAR!



TUNE-UP KITS

P/N	DESCRIPTION	RETAIL	DEALER	SALE
1175.JRC	Aerator Tune-Up Kit (For Greasable Axle Models – Generation 2 Style): Six 7860-1 Tine Rotors w/Bushings, Twelve Extra Replacement Bushings, Twelve 1/2in. Machine Bushings, Six D-Washers & 1/2in. Nylon Locknuts, Two Clevis Pins & Circle Cutters	\$304.50	\$210.00	\$199.50
1175-2.JRC	Aerator Tune-Up Kit (For Ball Bearing Models – Generation 3 Style): Six 7860-2 Tine Rotors w/Sleeve, Twelve 1/2in. Machine Bushings, Six 1/2in. Nylon Locknuts, Two Clevis Pins & Circle Cutters	\$254.63	\$176.40	\$167.58
1175-3.JRC	Aerator Tune-Up Kit (For Ball Bearing Models – Generation 4 Style): Six 7860 Tine Rotors w/Sleeve, Six 5/8in. Flatwashers, Six 1/2in. Nylon Locknuts, Six Cotter Pins, Two Clevis Pins & Circle Cutters	\$231.00	\$157.50	\$149.63
1175-4.JRC	Aerator Tune-Up Kit (For Ball Bearing Models – Generation 4 Style): Ten 7860 Tine Rotors w/Sleeve, Ten 5/8in. Flatwashers, Ten 1/2in. Nylon Locknuts, Ten Cotter Pins, Two Clevis Pins & Safety Clips	\$383.25	\$257.25	\$244.39
1148.JRC	Leaf Plow Tune-Up Kit: Left & Right Tine Set, Two Skid Wheels, Four Oilite Flange Bushings, Two Clevis Pins & Circle Cutters	\$142.80	\$92.40	\$87.78
1136.JRC	Tine Rake (36in.) Tune-Up Kit: 27 Double Loop Tines, Four Oilite Flange Bushings, Six Clevis Pins and Circle Cutters	\$92.40	\$54.60	\$51.87
1146.JRC	Tine Rake (46in.) Tune-Up Kit: 35 Double Loop Tines, Four Oilite Flange Bushings, Six Clevis Pins and Circle Cutters	\$117.60	\$68.25	\$64.84
1160.JRC	Tine Rake (60in.) Tune-Up Kit: 47 Double Loop Tines, Four Oilite Flange Bushings, Six Clevis Pins and Circle Cutters	\$152.25	\$90.30	\$85.79

REPLACEMENT SEATS

Uni Pro™

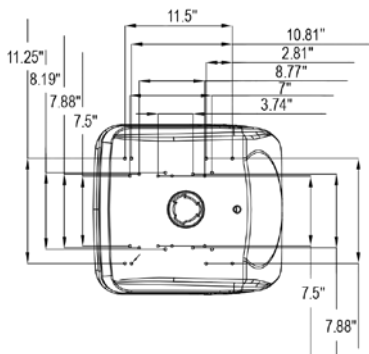
UNI PRO 225

BUCKET SEATS

- Features universal mounting for multiple applications for construction, lawn mower, and turf equipment
- Durable waterproof vinyl covering with central drain hole
- Ergonomic foam cushion with corrosion resistant plastic frame
- 19in. high-back seat which will replace both original 16in. and 19in. high-back seats
- Accepts operator presence switch*
- Multiple mounting patterns

*Note: This seat takes the Twist in Mount Operator Presence Switch.

Seat Mounting Pattern



8773



8774



8772



8375



8377



8376

Order 5 seats and receive a FREE store display box and a discount!

ITEM#	Color	Packaging	Applications	Retail	Qty 1
8773	Black	Each	Construction, Lawn Mower, Turf Equipment	\$119	\$89
8774	Gray	Each	Construction, Lawn Mower, Turf Equipment	\$119	\$89
8772	Yellow	Each	Construction, Lawn Mower, Turf Equipment	\$119	\$89
8375	Black	Display Box w/5 Seats	Construction, Lawn Mower, Turf Equipment	N/A*	\$378
8377	Gray	Display Box w/5 Seats	Construction, Lawn Mower, Turf Equipment	N/A*	\$378
8376	Yellow	Display Box w/5 Seats	Construction, Lawn Mower, Turf Equipment	N/A*	\$378

*Seat display boxes only for dealer showroom/in-store display. Not for resale.

UNI PRO 229

BUCKET SEATS

- Durable waterproof vinyl covering with central drain hole
- Ergonomic foam cushion with corrosion resistant plastic frame
- Seat dimensions: 18.9in. W x 22.64 in. H
- Uses standard M8 bolts
- Multiple mounting patterns
- Applications include compact tractor, construction, garden, industrial, lawn mower, and skid steer equipment

*Note: This seat takes the Twist in Mount Operator Presence Switch.



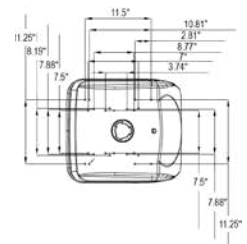
8777



8776



8775



ITEM#	Color	Retail	Qty 1
8777	Black	\$132	\$99
8776	Gray	\$132	\$99
8775	Yellow	\$132	\$99

CALL (800) 822-0295 or VISIT www.gnedi.com

Pricing subject to change without notice.

REPLACEMENT SEATS

UNI PRO 129

BUCKET SEAT | MODEL #7104

Uni Pro™

Milsco XB200

- Universal seat for construction, garden, industrial, lawn mower, skid steer, and tractor equipment
- Durable waterproof black vinyl covering with central drain hole
- Ergonomic foam cushion with corrosion resistant plastic frame
- Multiple mounting patterns



UNI PRO 129

BUCKET SEAT | MODEL #7104

Uni Pro™

Milsco XB200

- Universal seat for construction, garden, industrial, lawn mower, skid steer, and tractor equipment
- Durable waterproof black vinyl covering with central drain hole
- Ergonomic foam cushion with corrosion resistant plastic frame
- Multiple mounting patterns



ITEM#	Description	Retail	Qty 1
7104	Uni Pro 129 Bucket Seat	\$171	\$128

UNI PRO 480/481

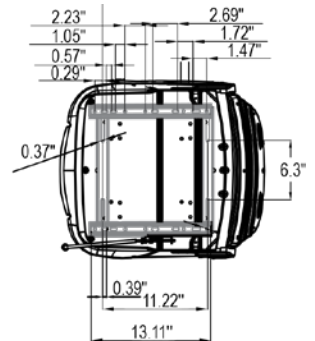
SEAT ASSEMBLIES | MODEL #8779 | 8778

NEW ARRIVALS

- Universal seat for commercial turf, construction, ground service, industrial, material handling, skid steer, and turf equipment
- Heavy-duty, water-resistant covering
- Vacuum formed with ergonomic polyurethane cushions
- Adjustable backrest and slide rails



Uni Pro™



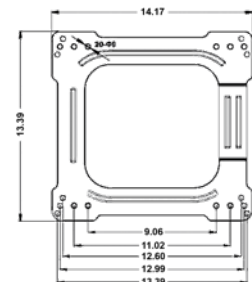
ITEM#	Color	Model Number	Retail	Qty 1
8779	Gray Fabric	Uni Pro 480	\$199	\$149
8778	Black Vinyl	Uni Pro 481	\$199	\$149

UNI PRO 52

FORKLIFT SEAT | MODEL #8001

Uni Pro™

- Designed with a universal mounting pattern that fits select Daewoo®, Komatsu®, Mitsubishi®, Nissan®, TCM® and Toyota® forklifts
- Heavy-duty black vinyl covering
- Vacuum formed cushions
- 60° adjustable backrest for individual fit
- Retractable seat belt and hip restraints for added safety



ITEM#	Description	Retail	Qty 1
8001	Uni Pro 52 Forklift Seat	\$399	\$299

REPLACEMENT SEATS

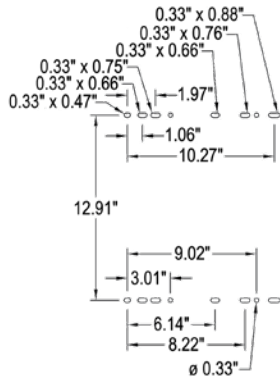
UNI PRO 136

SEAT & MECHANICAL SUSPENSION | MODEL #7882

Uni Pro™

Grammer MSG651/531

- Universal seat with multiple applications for forklift, skid steer and turf equipment
- Durable black vinyl covering
- Mechanical suspension with travel of 2.38in.
- Vacuum formed narrow seat cushion of 18.5in.
- Adjustable backrest and mechanical lumbar support
- Retractable seat belt for added safety
- Weight indicator with 100 - 375 lb. adjustment
- Accepts operator presence switch



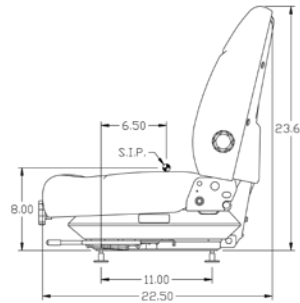
UNI PRO 236

SEAT & MECHANICAL SUSPENSION | MODEL #7924

Uni Pro™

Milsco V5300

- Universal seat with multiple applications for industrial, small construction, and turf equipment
- Durable black vinyl covering with central drain hole
- Mechanical suspension with travel of 2.36in.
- Contoured foam cushions
- Backrest angle adjustment from 5° forward to 15° backward
- Manual weight adjustment up to 270 lbs.



ITEM#	Description	Retail	Qty 1
7882	Uni Pro 136 Suspension Seat	\$769	\$576

ITEM#	Description	Retail	Qty 1
7924	Uni Pro 236 Suspension Seat	\$795	\$596

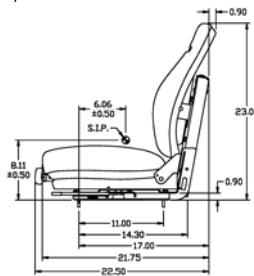
UNI PRO 336

SEAT & MECHANICAL SUSPENSION | MODEL #7939

Uni Pro™

Milsco CR100

- Universal seat with multiple applications for agriculture, forklift, industrial, material handling, small construction, and turf equipment
- Durable black vinyl covering
- Mechanical suspension with travel of 3in.
- Contoured foam cushions
- Manual weight adjustment
- Accepts operator presence switch



ITEM#	Description	Retail	Qty 1
7939	Uni Pro 336 Suspension Seat	\$678	\$508

More Seats Available Online!
Visit our Replacement Seats section.



CALL (800) 822-0295 or VISIT www.gnedi.com

Pricing subject to change without notice.

LED LIGHTS

WARNING LIGHT BAR

34IN. AMBER | MODEL #TL1400.TIG



- Ensure safety
- Efficient, durable, long-lasting
- Low profile design
- 17 Flashing Patterns
- 12V to 24V Input Voltage
- 34.25in. x 3.75in. x 11.75in. (W x H x D)
- Includes controller, wiring harness and mounting brackets
- Ideal for agriculture, ATV, construction, and vehicle equipment



ITEM#	Light Pattern	Retail	Qty 1
TL1400.TIG	360° Flashing w/Bright 3W LED Bulbs	\$446.25	\$312.38

WARNING LIGHT BAR

46IN. AMBER | MODEL #TL1500.TIG



- Ensure safety
- Efficient, durable, long-lasting
- Low profile design
- 17 Flashing Patterns
- 12V to 24V Input Voltage
- 46in. x 3.75in. x 11.75in. (W x H x D)
- Includes controller, wiring harness and mounting brackets
- Ideal for agriculture, ATV, construction, and vehicle equipment



ITEM#	Light Pattern	Retail	Qty 1
TL1500.TIG	360° Flashing w/Bright 3W LED Bulbs	\$572.25	\$400.58

ROPS LIGHT KIT

UNIVERSAL | MODEL #TLROPSKIT-1



- An ideal solution for adding LED Lights to your zero-turn mower or compact tractor
- Polycarbonate lens with die-cast aluminum housing/heatsink
- IP68 rated (dust proof and water-resistant)
- Kit is universal, depending on the battery location
- Comes with interchangeable mounts to fit multiple dimensions of existing ROPS
- Included bracket dimensions (W x H): 2in. x 2in., 3in. x 1.5in., and 3in. x 2in.



ITEM#	Light Pattern	Effective Lumens	Watts	Amp Draw	Retail	Qty 1
TLROPSKIT-1	Flood Beam	1,350 (2,700 Combined)	18 (36 Combined)	1.5 (3 Combined)	\$169.00	\$118.30

LIGHT BARS

SINGLE ROW



- Flood/spot beam pattern
- Durable polycarbonate lens
- built to be RoHS compliant
- IP68 rated so that no dust will get in and the light can be continuously submerged in water with no side effects
- Filters eliminate unwanted radio and electromagnetic frequencies from external sources
- Die-cast aluminum housing/heatsink
- Heavy-duty stainless steel hardware and mounting brackets are included



ITEM#	Size (W x H)	LED Qty	Effective Lumens	Watts	Amps	Input Voltage	Retail	Qty 1
TL6SRC.TIG	7in. x 1.75in.	6	3,400	30	2.5	12 to 24	\$94.50	\$66.15
TL10SRC.TIG	11in. x 1.75in.	10	5,700	50	4.2	12 to 24	\$135.45	\$94.82
TL20SRC.TIG	21in. x 1.75in.	20	11,300	100	8.3	12 to 24	\$204.75	\$143.33

More LED Lights Available Online!
Visit our Lighting section.



TRACTOR ACCESSORIES

1-STEP TRACTOR STEP

UNIVERSAL BOLT-ON FLEX | MODEL #3455

- Durable black powder coat finish
- Heavy-duty all-steel construction
- 2 flexible belted rubber side brackets
- Easy to install and mounts onto steps
- No drilling required; hardware included
- Universal fit for construction and tractor equipment



ITEM#	Description	Retail	Qty 1	Qty 4
3455	14.5in. Wide Flex 1-Step	\$99	\$74.00	\$71.78

1-STEP TRACTOR STEP

UNIVERSAL BOLT-ON FLEX | MODEL #3455

- Durable black powder coat finish
- Heavy-duty all-steel construction
- 2 flexible belted rubber side brackets
- Easy to install and mounts onto steps
- No drilling required; hardware included
- Universal fit for construction and tractor equipment



ITEM#	Description	Retail	Qty 1	Qty 4
3455	14.5in. Wide Flex 2-Step	\$172	\$129.00	\$125.13

WHEEL DOLLY

3,800 LBS. | MODEL #1400

- Efficient operation designed for the fast and safe removal and installation of large wheels
- Equipped with a two-stage hydraulic pump for smooth, controlled lifting action
- Features two roller tables with three rollers each, allowing for full 360 rotation and precise wheel alignment during installation or removal
- Includes dual support handles for easy steering, four 6in. caster wheels, and one 2.5in. caster wheel, providing excellent mobility and stability
- Capable of managing semi and tractor tires up to 800 metric, making it ideal for both agricultural and industrial wheels
- Perfect for shops, farms, and garages



ITEM#	Capacity	Accommodates Wheel Sizes	Retail	Qty 1
1400	3,800 lbs.	39in. to 86in. in Diameter / Up to 31in. Wide	\$3,199	\$2,399

BEACON LIGHT

AMBER WARNING | MODEL #TL2000.TIG

- 3 Adjustable patterns
- Ensure safety
- Efficient, durable, long-lasting
- Reattach lens cover by twisting into lock position
- Ideal for agriculture and industrial equipment
- 48 Watts; 4 Amp Draw
- 12V to 24V Input Voltage



ITEM#	Light Pattern	Retail	Qty 1
TL2000.TIG	360° Flashing / Flood	\$78.75	\$55.65

BEACON LIGHT

AMBER WARNING | MODEL #TL2100.TIG

- Flashing / Flood light pattern
- Ensure safety
- Efficient, durable, long-lasting
- Attach to equipment with solid/fixed mount
- Includes mounting pad and stainless steel hardware
- Ideal for agriculture and industrial equipment
- 2.75in. x 5.25in. (D x H)
- 12V to 24V Input Voltage



ITEM#	Light Pattern	Retail	Qty 1
TL2100.TIG	360° Flashing / Flood	\$31.50	\$22.05

CALL (800) 822-0295 or VISIT www.gnedi.com

Pricing subject to change without notice.

SHOP SUPPLIES

HD RATCHET TIE DOWN ULTRA-TOW

GREEN | MODEL #5686144

- Ideal for use with lighter loads such as dirt bikes, ATVs, and lawnmowers
- Steel core-coated S-hooks won't scratch, rust or mar surfaces
- 1,500 lb. breaking strength
- 500 lb. working load



ITEM#	Description	Retail	Qty 1	Qty 4
5686144	1in. x 14ft. / 4-Pack	\$29.99/ea. \$119.96/ Case	\$89.97/ Case of 4 Packs	\$87.27/ Case of 4 Packs

HD RATCHET TIE DOWN ULTRA-TOW

ORANGE | MODEL #5686195

- Ideal for heavier loads hauled in a large pick-up or medium trailer. Also for motorcycles, smaller boats, and appliances
- Steel core-coated S-hooks won't scratch, rust or mar surfaces
- Provides excellent security for traveling longer distances
- 3,000 lb. breaking strength
- 1,000 lb. working load



ITEM#	Description	Retail	Qty 1	Qty 4
5686195	1in. x 10ft. / 4-Pack	\$27.99/ea. \$83.97/ Case	\$62.98/ Case of 4 Packs	\$61.09/ Case of 4 Packs

SELF-TENSIONING RATCHET STRAPS

XTP AUTOMATIC

- Will re-tighten slack webbing to ensure the cargo stays tight and stay:
- PATENTED design features two large coil springs that automatically create extra tension and tighten the strap in case of load shift
- Super strong welded double hooks for a strong hold that's easy to connect plus black E-coating on each hook for corrosion resistance
- Strong and abrasion-resistant polyester webbing with an anti-cut and anti-abrasion black edge that provides extended durability
- Can be used for the heaviest loads hauled on large trailers or flatbeds, and is also great for tractors, vehicles and other large equipment



5702634



5702562

NEW ARRIVALS

ULTRA-TOW



ITEM#	Working Load	Breaking Strength	Hook Type	Color	Size	Retail	Qty 1	Qty 4
5702634	1,333 lbs.	4,000 lbs.	J-Hook	Gray	1.5in. x 14ft.	\$47.99	\$35.99	\$34.91
5702562	1,333 lbs.	4,000 lbs.	J-Hook	Yellow	1.5in. x 14ft.	\$37.99	\$28.49	\$27.64

More Straps, Ties, and Rope Available Online!

Visit our Shop Supplies section.



SHOP SUPPLIES

RATCHET TIE DOWNS

YELLOW WITH FLAT & J-HOOKS

- Provides extra stability for traveling long distances.
- Can be used for the heaviest loads hauled on large trailers or flatbeds and is also great for tractors, vehicles, and other large equipment
- Double flat or J-hooks for easy attachment
- Webbing is yellow polyester
- 10,000 lb. breaking strength
- 3,300 lb. working load



ITEM#	Type / Size	Retail	Qty 1 Case	Qty 4 Cases
5866136	Flat Hooks 2in. x 27ft. / Single	\$11.99/Ea. \$71.94/Case	\$53.96/ Case of 6 Packs	\$52.34/ Case of 6 Packs
5866152	J-Hooks 2in. x 27ft. / Single	\$15.99/Ea. \$95.94/Case	\$71.96/ Case of 6 Packs	\$69.80/ Case of 6 Packs

TOW STRAP

MODEL #5702554

- Can handle the tough towing jobs
- Reinforced loop ends for quick connections
- Strong and abrasion-resistant polyester yellow webbing
- 6,666 lbs. working load
- 20,000 lbs. breaking strength



ITEM#	Size	Retail	Qty 1	Qty 4
5702554	4in. x 30ft. Tow Strap	\$19.99	\$14.99	\$14.54

HYDRAULIC LIFT TABLE CART

MODEL #57755

- Features an ergonomic scissors design
- Rapid lift action takes just 8 strokes to reach maximum height with no load
- Heavy-duty all-steel construction
- Nonslip rubber cover on foot pedal
- 2 swivel casters with brakes and 2 fixed
- 14-1/4in. - 50-3/4in. lift range
- 27-3/4in. x 17-3/4in. platform size



ITEM#	Capacity	Retail	Qty 1	Qty 4
57755	500 lbs.	\$499.99	\$349.99	\$339.49

ALUMINUM HAND TRUCK

MODEL #67833

- Durable aluminum construction
- Comfortable, ergonomic, continuous handles
- Wheels roll smoothly
- 600lb. capacity
- 10in. x 3.2in. Polyurethane tires
- Toe plate size: 7-1/8in. W x 18in. D
- Ideal for the jobsite or the warehouse



ITEM#	Description	Retail	SPECIAL	Qty 1	Qty 4
67833	Hand Truck	\$149.99	\$104.99	\$100.00	\$97.00

UTILITY CART

MODEL #53412

- Durable aluminum construction
- Comfortable, ergonomic, continuous handle
- Wheels roll smoothly
- 600lb. capacity
- 10in. x 3.2in. Polyurethane tires
- Toe plate size: 7-1/8in. W x 18in. D
- Ideal for the jobsite or the warehouse



ITEM#	Description	Retail	SPECIAL	Qty 1	Qty 4
67833	Hand Truck	\$159.99	\$111.99	\$106.00	\$103.00

CALL (800) 822-0295 or VISIT www.gnedi.com

Pricing subject to change without notice.

LAWN & GARDEN

WOOD CHIPPER/SHREDDER

POWERHORSE

MODEL #115061

- Highly effective double-edged reversible hardened steel cutting blade
- 16in. pneumatic tires
- Couple V-belt drive for smooth operation
- Towable behind an ATV or UTV with 2in. coupler



ITEM#	Engine	Brush Capacity	RPM	Chipper Drum	Retail	Qty 1	Qty 4
115061	Powerhorse 420cc OHV	5in.	3,600	9in.	\$1,399.99	\$1,049.00	\$1,018.00

HIGH WHEEL TRIMMER

POWERHORSE

MODEL #115069

- Manual push trimmer
- 14in. high wheel poly tires
- Dual line head
- Easy maneuverability
- Comes fully equipped and ready to work with a 16.9-oz. (500ml) bottle of oil, spark plug wrench, oil funnel, and 10-pack of 4mm x 4mm square trimmer lines



ITEM#	Engine	Cutting Width	Max. RPM	Retail	Qty 1	Qty 4
115069	Powerhorse 173cc OHV	22in.	3,000	\$329	\$247	\$239

LAWN & GARDEN

ONE PERSON EARTH AUGER

KIT W/8IN. BIT | MODEL #5719073

- Powerful 52cc engine
- Shut off switch built into trigger throttle
- Easy grip handles
- Shock absorbing spring
- Replaceable fish tail point and blade
- Kit includes auger head and 8in. bit



POWERHORSE

ITEM#	Engine	Mix Ratio	Retail	Qty 1	Qty 4
5719073	Powerhorse 52cc 2-Cycle	30:1	\$285	\$214	\$207

WALK-BEHIND JET BLOWER

MODEL #5818733

- Handles even the heaviest, wettest yard debris
- Fixed nozzle adjusts 3 ways for 15 Down/ Straight-Level/15 Up air flow projection
- Soft grip ergonomic handle features adjustable height for comfort
- 6in. sold swiveling front wheel and 10in. pneumatic rear wheels roll smoothly over any terrain
- Recoil start



NEW ARRIVALS



POWERHORSE

ITEM#	Engine	MPH	Impeller Speed	CFM	Retail	Qty 1	Qty 4
5818733	Powerhorse 7 HP, 212cc	150	3,600 RPM	1,200	\$499.99	\$375.00	\$364.00

TRUCK LOADER

CHIPPER SHREDDER | MODEL #110095

- Commercial-grade, heavy-duty, all-steel loader
- Powerful EPA certified engine
- Skid mount design
- Includes 6in. diameter x 10ft. vacuum intake hose and skid mount
- Optional receiver hitch mount, truck loader tailgate mount available



POWERHORSE

ITEM#	Engine	Intake Hose	Retail	Qty 1	Qty 4
110095	Powerhorse 4-Stroke, 208cc OHV	6in. x 10ft.	\$1,249.99	\$937.00	\$909.00

CALL (800) 822-0295 or VISIT www.gnedi.com

Pricing subject to change without notice.

LAWN & GARDEN

WALK-BEHIND BLOWERS

BRAVE

MODEL #BRPB160H | #BRPB140H

- High volume and high velocity output
- Rubber vibration mounted handles
- Adjustable and reversible handles
- Foot activated front discharge directs air forward
- 4.625in. x 5.75in. Discharge opening
- 12 Gauge steel construction
- Flat-free tires
- (8) Aluminum Blade Impellers: 17in. on BRPB160H; 14in. on BRPB140H



BRPB160H



BRPB140H

HOT BUYS

ITEM#	Engine	CFM	Retail	Dealer	Qty 1	Qty 4
BRPB160H	Honda GX270	2,500	\$1,869	\$1,406	\$1,336	\$1,296
BRPB140H	Honda GX160	1,800	\$1,229	\$1,073	\$996	\$966

TOW-BEHIND BLOWER

BRAVE

MODEL #BRPB180HE

- High volume and high velocity output
- Powerful Honda engine with electric start
- Remote controlled engine idle speed
- 6 Gallon fuel tank
- 11 GA Primary material
- 4.625in. x 5.75in. Discharge openings
- Remote controlled right or left blowing chutes
- 11 Gauge steel construction
- Rugged and durable with powder-coat finish
- Flat-free tires



ITEM#	Engine	CFM	Retail	Dealer	Qty 1	Qty 4
BRPB180HE	Honda GXV390	2,750	\$3,749	\$3,040	\$2,888	\$2,801

TRUCK LOADERS

BRAVE

MODEL #BRPTL140H | #BRPTL160B

- Simple operation
- Two user handles for full control
- Steel impeller that shreds leaves and debris with 12:1 ratio
- Easy access to engine and controls for painless adjustments and repairs
- Clear urethane intake hose to quickly monitor and identify blockages
- Combine with Brave Walk-Behind Blower for best use
- Recoil Start (BRPTL140H); Electric Start (BRPTL160B)
- 8in. x 10ft. Hose (BRPTL140H); 10in. x 10ft. Hose (BRPTL160B)



BRPTL140H



BRPTL160B



ITEM#	Engine	CFM	Retail	Qty 1	Qty 4
BRPTL140H	Honda GX390	3,500	\$3,939	\$3,319	\$3,219
BRPTL160B	18HP Briggs	4,400	\$5,962	\$4,471	\$4,337

LAWN & GARDEN

PUSH SPREADERS

WALK-BEHIND

- Impact-resistant, bridge-free hopper ensures consistent material flow without the need for bouncing or shaking
- AccuWay™ adjustment technology ensures a perfectly balanced spread pattern by altering material flow forward or backward
- Ergonomic, adjustable handle adapts to fit perfectly, reducing fatigue
- All-welded frame delivers maximum durability
- Convenient lift handle makes lifting easier, even with a full hopper
- All-metal gears are fully enclosed
- Ideal for spreading seed, fertilizer, ice melt, and more

NEW
ARRIVALS



**DEFLECTOR
KITS
AVAILABLE**

ITEM#	Type	Capacity	Material	Tires	Retail	Qty 1
SPY50L-1P	Commercial	50 lbs.	Powder Coated Steel	13in.	\$399.00	\$29.25
SPY80-1P	Commercial	80 lbs.	Powder Coated Steel	13in.	\$449.00	\$336.75
SPY80-1S	Commercial	80 lbs.	Stainless Steel	13in	\$549.00	\$411.75

LIGHT-DUTY PUSH SPREADER

WALK-BEHIND | #P20-5010



- Impact-resistant, bridge-free hopper ensures consistent material flow without the need for bouncing or shaking
- 50-lb. capacity hopper is constructed in thick poly and won't rust or dent
- Spyker dial with 90 settings allows the operator to accurately calibrate for the specific type of material being applied
- All-metal gears are fully enclosed
- Includes a plastic screen to help break up clumpy material as well as a weatherproof hopper cover
- Large, fully pneumatic tires roll quickly and maintain constant contact with the surface
- Ideal for spreading seed, fertilizer, ice melt, and more

NEW
ARRIVALS



**DEFLECTOR
KITS
AVAILABLE**

ITEM#	Capacity	Material	Retail	Qty 1
P20-5010	50 lbs.	Polypropylene	\$299.00	\$224.25

MULCH & MORE PUSH SPREADER

WALK-BEHIND | #S60-12020



- 120-lb. capacity hopper is constructed in thick poly and won't rust or dent
- Spyker dial with 90 settings allows the operator to accurately calibrate for the specific type of material being applied
- Stainless steel axle provides exceptional durability and corrosion resistance cover
- Wide coverage with a spread width of up to 12 ft., allowing for increased efficiency
- Extra-large single-port opening easily handles larger materials like pin mulch and rock salt.

**DEFLECTOR
KITS
AVAILABLE**



NEW
ARRIVALS

ITEM#	Capacity	Material	Retail	Qty 1
S60-12020	120 lbs.	Polypropylene	\$999.00	\$749.25

CALL (800) 822-0295 or VISIT www.gnedi.com

Pricing subject to change without notice.

LAWN & GARDEN

ICE MELT PUSH SPREADERS

WALK-BEHIND | #SPY50L-2S | #SPY100-2S

- Impact-resistant, bridge-free hopper ensures consistent material flow without the need for bouncing or shaking
- Stainless steel carving blade easily breaks up ice melt and rock salt
- Ergonomically designed handle adjusts from 5'3" to 6'6" to reduce user fatigue
- Hi-Vis reflective frame for visibility in low-light conditions or bad weather
- Support stand that fits all rear platform carriers and is positioned to allow for max fill without tipping over
- All metal gears are fully enclosed
- Hi-vis deflector adjusts spread width from 3-12 ft. easily, no tools required
- Cold shock-proof winter cover with easy on/off tab comes included
- Recommended for use with ice melt and bagged rock salt



SPY50L-2S



NEW
ARRIVALS



SPY100-2S

ITEM#	Capacity	Material	Retail	Qty 1
SPY50L-2S	50 lbs.	Stainless Steel	\$549.00	\$411.75
SPY100-2S	100 lbs.	Stainless Steel	\$649.00	\$486.75

DROP SPREADER

WALK-BEHIND | #P70-12010

- 36-in. commercial drop spreader applies grass seed, fertilizer, and ice melt
- Two interchangeable steel bottom hopper plates are included. One plate handles smaller granules, such as grass seed. The other plate has larger holes, perfect for using ice melt and other larger materials
- Designed with two separate side-by-side-hopper sections, the operator can easily spread 18-in. or 36-in. widths for consistent coverage around landscaping or other tight areas
- AccuWay™ adjustment technology alters the material flow forward or backward, determining how quickly the granules launch off the spinner/fan ensuring a perfectly balanced spread pattern regardless of the material
- Large 13-in. x 5-in. (oversized) pneumatic tires with turf tread distribute weight evenly to prevent rutting



NEW
ARRIVALS



ITEM#	Capacity	Material	Retail	Qty 1
P70-12010	120 lbs.	Powder Coated Steel	\$649.00	\$486.75

LAWN & GARDEN

RIDE ON SPREADER

COMMERCIAL | #S100-12020

- New 160cc commercial-grade Honda engine is fuel-efficient, quiet, and smooth with high performance, and lightweight compactness
- Use the simple thumb switch to adjust the speed from 3MPH up to 5MPH for optimal spreading and transport
- Oversized front and rear tires with turf-safe tread for easy handling
- Heavy-duty trailer tie-down hooks also make transporting the spreader easy
- Spyker's AccuWay™ adjustment technology alters the material flow forward or backward, determining how quickly the granules launch off the spinner/fan
- Extra-large single port rate gate allows larger materials to be used, making it a versatile, multi-purpose machine
- hydrostatic "TUFF TORQ" brand transmission with rear-wheel drive moves the spreader forward and reverse with easy-to-reach hand controls
- Features front-wheel and fan axles, easy-to-change fan belt, and simple construction
- Includes a plastic screen to help break up clumpy material and a weatherproof hopper cover



POWERED by
HONDA

ACCESSORIES
AVAILABLE



NEW
ARRIVALS



ITEM#	Engine	Hopper Capacity	Fuel Capacity	Material	Retail	Qty 1
S100-12020	Honda GXV160	120 lbs.	.93 L	Stainless Steel Cables & Front Frame	\$6,699.00	\$5,024.25

TOW BEHIND SPREADER

COMMERCIAL | #SPY200T-1P

- The large 200 lb. hopper provides a generous capacity, and fewer refills with up to 3.5 cu. ft. of material
- Features a solid stainless-steel axle, 16-gauge tubular frame, and enclosed gearbox
- Universal hitch can be towed behind any riding mower or ZTR
- Extended on-off lever allows for the control of material flow while remaining in the mower seat
- Spyker dial with 90 settings allows the operator to accurately calibrate for the specific type of material being applied
- Large, fully pneumatic 15in. x 6in. tires roll quickly and maintain constant contact with the surface
- Includes a plastic screen to help break up clumpy material and a weatherproof hopper cover



NEW
ARRIVALS



ITEM#	Hopper Capacity	Material	Retail	Qty 1
SPY200T-1P	200 lbs.	Powder Coated Steel	\$599.00	\$449.25

CALL (800) 822-0295 or VISIT www.gnedi.com

Pricing subject to change without notice.

LAWN & GARDEN

LAWN ROLLERS

PUSH / TOW | #R28-1824 | #R76-2436

- Commercial-grade poly drum repairs lawn damage and packs down loose dirt, seed, or sod
- Rounded drum end caps prevent lawn damage when turning
- Extra-large fill opening expedites filling and emptying of the drum
- Adjustable scraper bar design prevents mud collection when installing new sod
- Heavy-duty, extra-thick poly drum won't dent or rust
- Features pillow block greaseable bearings with seals to protect against harmful contaminants
- Lightweight when empty for easy transport and storage after the job

NEW
ARRIVALS



R28-1824



R76-2436

ITEM#	Size	Type	Capacity	Retail	Qty 1
R28-1824	18in. x 24in.	Push / Tow	300 lbs.	\$349.00	\$261.75
R76-2436	24in. x 36in.	Tow-Behind	770 lbs.	\$499.00	\$374.25

BAG SPREADER

HANDHELD | #BCS25

- Durable waterproof bag features viewing window to gauge material use
- Extra-wide shoulder strap includes padding for added comfort
- Included broadcast shield helps protect the user from material while spreading
- Includes Spyker's advanced calibration system with an easy adjustment dial for accurate spreading
- Rugged glass reinforced resin base and fan for increased strength
- Integrated ergonomic handle grip for easy transport and storage
- Sealed gearbox with stainless steel hardware
- Internal bag support rod holds back in place for quick, no-mess filling



NEW
ARRIVALS



HANDHELD SPREADER

HANDHELD | #HHS100



NEW
ARRIVALS

- 5-lb. capacity for spreading seed, ice melt, fertilizer, and more
- Spreads granular material in small/tight areas, such as flower beds and side yards
- Fill up the Spyker handheld directly from the bag thanks to the scoop design
- Simple knob changes material flow for the specific need and material
- The ideal solution for de-icing sidewalks, stairs, driveways, and other paved areas



ITEM#	Capacity	Material	Retail	Qty 1
BCS25	25 lbs.	Nylon Bag / Resin Base	\$79.00	\$59.25

ITEM#	Capacity	Material	Retail	Qty 1
HHS100	5 lbs.	Poly	\$39.00	\$29.25

SPRAYERS

BROADCAST & SPOT SPRAYERS

ELECTRIC POWERED

- 100% continuous-duty rating
- Large capacity proprietary tanks that are UV-resistant and compatible with virtually all pesticides
- Spring-loaded, breakaway boom arms fold away for compact storage (tow-behind models)
- Easy to empty tank with bottom drain
- Attaches to ATV or garden tractor



SCAN HERE TO SEE THE FULL LINE!



REPLACEMENT PUMPS

DIAPHRAGM PUMPS & POTABLE WATER PUMPS

- 100% continuous-duty cycle
- Automatically turns off when no flow is required to conserve battery power
- Self-priming (NorthStar pumps only)
- Oversized motors run lower amps, produces less heat, and offers longer life (NorthStar pumps only)
- Potable water pumps safe for drinking water



SCAN HERE TO SEE THE FULL LINE!



LI-ION NEVER PUMP SPRAYER KITS

LITHIUM-ION BATTERY POWERED

- Lithium-ion battery powers the electric air pump (included)
- Easy-to-use, Never Pump technology for consistent pressure with no pumping
- Ideal for weed prevention, pest control, fertilizing and watering
- 2 or 4 gallon tank



STRONGWAY

SCAN HERE TO SEE THE FULL LINE!



PORTABLE SPRAYERS

HAND-HELD SPRAYERS

- SureSpray filters prevents clogging
- Easy, no-mess filling
- Comfortable handles
- Adjustable nozzle for a variety of uses



ironton.
STRONGWAY

SCAN HERE TO SEE THE FULL LINE!



CALL (800) 822-0295 or VISIT www.gnedi.com

Pricing subject to change without notice.



PROMO CODE: **PRO-JRCO**

12/1/24 - 3/31/25

2025 SPRING DEALER PROGRAM

TOLL FREE WEBSITE
(800) 822-0295 www.gnedi.com

PAYMENT TERMS

TOTAL	TERMS
< \$2,500	Net 30
\$2,501 - \$5,000	Net 60
\$5,001 - \$8,000	Net 90
\$8,001 - \$12,000	Net 120
\$12,001+	Net 120

FREIGHT PROGRAM



WEIGHT	FEDEX SMALL PACKAGE
1 - 15 lbs.	\$12.00
16 - 30 lbs.	\$25.00
31 - 50 lbs.	\$35.00
51 - 70 lbs.	\$45.00
71 - 99 lbs.	\$55.00
100 - 150 lbs.	\$75.00
MudMixer	\$120.00

SALES VALUE	LTL
\$1 - \$2,500	\$200.00
\$2,501 - \$5,000	8% of Total Invoice
\$5,001 - \$8,000	6% of Total Invoice
\$8,001 - \$12,000	4% of Total Invoice
\$12,000 +	FREE FREIGHT

Additional Fees*

Residential / Non-Dock / Limited Access Delivery:	\$100.00
Liftgate Fee:	\$75.00
Excess Length Charge:	\$150.00
High Freight Class:	\$150.00

*Fees are added to existing freight costs

*PRICING/TYPOGRAPHICAL ERRORS: JRCO Inc. reserves the right to correct any typographical or pricing errors on any/all print/electronic media. Prices are subject to change without notice. TERMS: Discount terms cannot be paid for by credit/debit card. AVAILABILITY: Special Hot Buy Prices are only valid while supplies last. QUALIFYING ORDERS: Unit quantity discounts to received term incentives is restricted to qualifying units. **Available to qualifying and approved U.S. dealer/rental customers only. Terms are available to JRCO open account holders in good standing. No re-dating or inventory return will be allowed to clear a due balance. Late payment will terminate program terms. ***FREIGHT DISCLAIMER: 48 Contiguous States Only. Extraordinary delivery requirements may necessitate an additional shipping fee. Island, mountain and rural/remote location deliveries are subject to longer delivery times than stated above, additional fees and possible cancellation when outside our delivery zone.