

# 2025 SPRING PROGRAM

**BUY MORE  
SAVE MORE  
with Multi-Level  
Pricing!**



USE PROMO CODE:  
**PRO-JRCO**  
WHEN ORDERING

## PREMIUM COMMERCIAL MOWER ATTACHMENTS & MORE

**TERMS / PARTS SPECIALS / HOT BUYS**

**Valid 12/1/24 - 3/31/25**



**PAYMENT  
TERMS**

TOTAL	TERMS
< \$2,500	Net 30
\$2,501 - \$5,000	Net 60
\$5,001 - \$8,000	Net 90
\$8,001 - \$12,000	Net 120
\$12,001+	Net 120

# ATTACHMENTS

## TINE RAKE DETHATCHER

MODEL # 471 SERIES | 473 SERIES

- Control thatch accumulation
- Patented tines lift thatch without damaging healthy turfgrass
- Comb matted grass giving the lawn a clean, hand-raked look
- Use to rake-in seed and accelerate germination
- Reduce chances of turf disease
- The ultimate spring cleanup tool
- Perfect for summer to surface aerate the soil



### FIND YOUR TINE RAKE

To find the tine rake dethatcher and mount bar that fit your mower, use our online configurator.

Scan the QR code or visit

<https://www.gnedi.com/MODEL-470-SERIES.com>.

### HOT BUYS

ITEM#	Width	Mount Bar	Caster Wheels	Retail	Dealer	Qty 1	Qty 4
473/36.JRC	36in.	Included	Standard	\$893	<del>\$669</del>	\$602	\$584
473/46.JRC	46in.	Included	Standard	\$905	<del>\$678</del>	\$610	\$592
473/60.JRC	60in.	Included	Standard	\$955	<del>\$716</del>	\$644	\$625
H473/60.JRC	60in.	Included	Heavy-Duty	\$1,031	<del>\$773</del>	\$696	\$675

ITEM#	Width	Mount Bar	Caster Wheels	Retail	Dealer	Qty 1	Qty 4
471/36.JRC	36in.	Sold Separately	Standard	\$694	<del>\$520</del>	\$468	\$454
471/46.JRC	46in.	Sold Separately	Standard	\$708	<del>\$531</del>	\$478	\$464
471/60.JRC	60in.	Sold Separately	Standard	\$758	<del>\$568</del>	\$511	\$496
H471/60.JRC	60in.	Sold Separately	Heavy-Duty	\$836	<del>\$627</del>	\$564	\$547

\*Please provide mower brand, model and deck size when ordering.

## One Mount Bar – Many Attachments

Buy the mount bar once and use the same mount bar for all future attachment purchases!\*

\*One mount bar needed per mower make/model.



Please provide mower brand, model and deck size when ordering, or to use our online Find My Mount Bar configurator, scan the QR code or visit <https://www.gnedi.com/JRCO-MOUNT-BAR>.



### MOUNT BAR PACKAGE

MSRP: \$227 | Dealer: ~~\$170~~ | SPECIAL: \$161.50



# ATTACHMENTS



## ELECTRIC BROADCAST SPREADER

MODEL # 503 | #504 | #504U

- Spread all types of granular and pelletized fertilizer, seed, and ice-melt
- Heavy-duty sealed, direct drive, 12V electric motor
- 2.2 cu ft polyethylene hopper
- 120 lbs capacity
- 503: fits zero turn mowers; foot control for spreader
- 504: fits stand-on and walk-behind mowers/aerators; hand control for spreader
- 504U: fits receiver mount mowers, aerators, and UTVs; hand control for spreader

Mount Bar Sold Separately

503 Zero Turn Mount Electric Broadcast Spreader



504U Receiver Mount Electric Broadcast Spreader



504 Stand-On/Walk-Behind Mount Electric Broadcast Spreader



### Accessories

### HOT BUYS

ITEM#	Fits	Retail	Dealer	Qty 1	Qty 4
503.JRC	Zero Turn Mowers	\$1,540	<del>\$1,156</del>	\$1,040	\$1,009
504.JRC	Stand-On & Walk-Behind Mowers	\$1,540	<del>\$1,156</del>	\$1,040	\$1,009
504U.JRC	Receiver Mount Mowers, Aerators, UTVs	\$1,540	<del>\$1,156</del>	\$1,040	\$1,009

ITEM#	Description	Retail	Qty 1	Qty 4
7053.JRC	Optional Side Deflector Kit	\$231	\$173.25	\$158.00
8436.JRC	Stainless Steel Screen	\$147	\$110.25	\$101.00

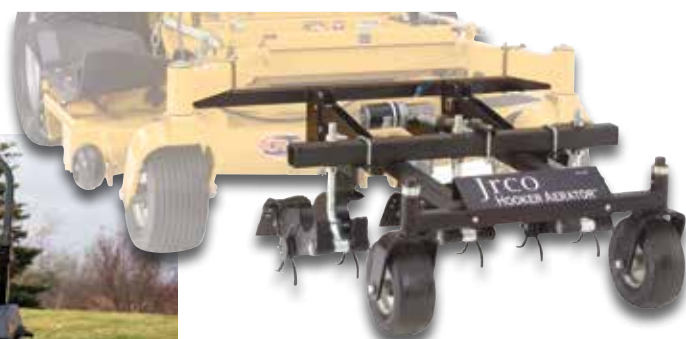
### Mounts for 504U

ITEM#	Description	Retail	Dealer
200S.JRC	2in. Hitch Mount U/V	\$282.98	\$196.35
125S.JRC	1.25in U/V Hitch Front Mount	\$259.35	\$175.35
125L.JRC	1-1/4in. 500 U-V Rear Mount EXT LONG-SA	\$284.55	\$190.05
125ADAP.JRC	Hitch Adaptor 2in. TO 1 1/4in.-SA	\$94.13	\$67.73

## HOOKER™ AERATOR

MODEL # 751

- 38in. wide aerator
- Six floating rotor heads
- Aerates 66,000 sq ft per hour at 5 mph
- Casters swivel allowing turning while aerating
- Electric actuator lifts the heads for transport
- Holes approximately .5in. W x 1.25in. L x 3in. D
- Mount bar sold separately (see pg. 2)
- Patented design



**TUNE-UP KITS AVAILABLE**  
See page 5

### HOT BUYS Accessories

ITEM#	Description	Retail	Dealer	Qty 1	Qty 4	ITEM#	Description	Retail	Qty 1	Qty 4
751.JRC	Front Mount Hooker Aerator	\$2,890	<del>\$2,168</del>	\$1,951	\$1,893	15W.JRC	#751 Mount for Walker Mower	\$454.65	\$340.20	\$311.00

CALL (800) 822-0295 or VISIT [www.gnedi.com](http://www.gnedi.com)

Pricing subject to change without notice.

# ATTACHMENTS

## TOW-BEHIND HOOKER™ AERATOR

MODEL # 753 | #755

- Electric actuator lifts the heads for transport
- Holes approximately .5in. W x 1.25in. L x 3in. D
- Two-point rear hitch included
- No mount bar needed
- Patented design



**TUNE-UP  
KITS AVAILABLE**  
See page 8



ITEM#	Width	Rotor Qty	Sq Ft/Hr @ 5MPH	Retail	Qty 1	Qty 4
753.JRC	38in.	6	66,000	\$3,202	\$2,401	\$2,305
755.JRC	60in.	10	105,000	\$4,910	\$3,683	\$3,536

## COMMERCIAL AERATORS & ROLLERS

- Spike aerators are ideal for sandy soils and lawns where you may not want to leave plugs behind such as golf courses
- Plug aerators are ideal for clay soils and large lawns
- Lawn rollers are ideal for smoothing rough soil and sodding, seeding, and lawn preparation
- All rollers easily attach to your riding mower
- 1in. drum shaft with greasable ball bearings



### SPIKE AERATORS

ITEM#	Aeration Width	Tine Qty	Retail	Qty 1	Qty 4
MSAT36.MAX	36in.	78	\$869	\$652	\$632
MSAT48.MAX	48in.	102	\$1,019	\$764	\$741
MSA3P48.MAX	48in. (3-Point Hitch)	102	\$1,129	\$847	\$821

### PLUG AERATORS

ITEM#	Aeration Width	Tine Qty	Retail	Qty 1	Qty 4
MSP36.MAX	36in.	36	\$1,129	\$847	\$821
MSP48.MAX	48in.	48	\$1,279	\$959	\$930

### LAWN ROLLERS

ITEM#	Aeration Width	Tine Qty	Retail	Qty 1	Qty 4
MLR36.MAX	36in.	N/A	\$669	\$502	\$487
MLR48.MAX	48in.	N/A	\$819	\$614	\$596
MLR3P48.MAX	48in. (3-Point Hitch)	N/A	\$869	\$652	\$632

## SPOT SPRAYER

MODEL #300 | #310

- Spot spray weeds from the comfort of your mower
- Low profile design allows for good visibility
- 6 gallon tank capacity with single 145 anti-drip nozzle
- 1 GPM, 10-20 PSI pump runs off the tractor's 12V battery
- Model: 300: includes 12ft. spray hose and wand with adjustable cone pattern for spraying along edging or fence lines
- Mount bar sold separately (see pg. 2)



ITEM#	Description	Retail	Qty 1	Qty 4
310.JRC	Standard Sprayer	\$509	\$382	\$366
300.JRC	12ft. Spray Hose & Wand Included	\$611	\$458	\$440

## TRANSPORTER TRAY

MODEL #490

- Uses mower's power to transport landscape materials, grass or leaf clippings, lawn debris, or landscape equipment
- Tray dimensions: 20in.W x 30in.L x 3in.H
- Tray can be positioned for maximum visibility and easy dumping
- For use with walk-behind mowers only
- Tub sold separately
- Mount bar sold separately (see pg. 2)



Optional 56 Gallon Tub Sold Separately  
Item # 6075.JRC

ITEM#	Description	Retail	Qty 1	Qty 4
490.JRC	Transporter Tray Attachment	\$389	\$292	\$280

### Accessories

ITEM#	Description	Retail	Qty 1	Qty 4
6075.JRC	56 Gallon Tub	\$180.60	\$135.45	\$124.00
490HDK.JRC	Heat & Deflector Kit	\$67.20	\$50.40	\$46.00



# ATTACHMENTS

## LEAF PLOW

MODEL #480

- 55in. wide plow for moving large piles of leaves
- Uses mower's power to quickly move piles of leaves
- One-piece galvanized steel blade with supports for durability
- Leaf blade rides on two adjustable center wheels
- Flat 4.5in. long stainless steel spring tines
- Spring tines allow plow to push leaves over uneven surfaces without damaging turf
- Mount bar sold separately (see pg. 2)



TUNE-UP KITS AVAILABLE



ITEM#	Description	Retail	Qty 1	Qty 4
480.JRC	Leaf Plow Attachment	\$646	\$485	\$465

## BLOWER BUGGY CARRIER

MODEL #601

- Designed to hold walk-behind blowers on the front of zero-turn mowers
- Moves yard debris with speed and ease
- Heavy-duty tubular steel frame
- Buggy adjusts to fit most walk-behind blowers
- Blower secures with 3 straps
- 2 front caster wheels for easy maneuverability
- One person can quickly load or unload
- Mount bar sold separately (see pg. 2)



Walk-behind blower not included.

ITEM#	Description	Retail	Qty 1	Qty 4
601.JRC	Blower Carrier Attachment	\$828	\$639	\$614

CALL (800) 822-0295 or VISIT [www.gnedi.com](http://www.gnedi.com)

Pricing subject to change without notice.

# ACCESSORIES

## UNIVERSAL SUN SHIELD

MODEL #3641SB | #4550SB

- Stay cool and shaded, blocked from the heat and damaging sun rays
- Fully adjustable (forward, level, and rear leaning)
- UV stable ABS retains its shape and color
- Universal bracket will fit all ROPS systems
- Easy to remove top to fold ROPS



Hardware Kit for Round ROPS 2.5" Radius

ITEM#	Fits	Retail	Qty 1	Qty 4
3641SB.JRC	Mowers with Square ROPS Hardware	\$502.95	\$397.00	\$364.00

ITEM#	Fits	Retail	Qty 1	Qty 4
4550SB.JRC	Tractors	\$656.25	\$492.45	\$450.00

### Accessories

ITEM#	Description	Retail	Qty 1
3641-RD.HDW.JRC	Optional Hardware for Round ROPS	\$71.42	\$54.28

## TRASH RECEPTACLE KITS

MODEL #08BH | #09BH | #10BH

- Save time, money, and hassle - stay in your seat when picking up trash and debris from your lawn
- Carry up to a 5 gallon bucket on your mower
- Use with the EZ Reacher (#40S-DC-1)
- 5 gallon bucket not included



ITEM#	Mount Type	Retail	Qty 1	Qty 8
08BH.JRC	Frame Mount	\$72.45	\$51.87	\$50.00
09BH.JRC	Roll Bar Mount	\$72.45	\$51.87	\$50.00
10BH.JRC	JRCO Mount Bar Mount*	\$56.70	\$40.90	\$39.00

\*Requires JRCO Mount Bar sold separately

## EZ REACHER

MODEL #40S-DC-1

- Pick up bottles, sticks, pine cones, apples, bags, wrappers, and other litter and debris from the seat of your mower
- Black plastic pistol grip is lightweight and easy to use
- Rustproof stainless steel fingers and strong aluminum shaft
- 40in. length



ITEM#	Description	Retail	Qty 1	Qty 8
40S-DC-1.JRC	EZ Reacher	\$26.25	\$18.95	\$17.10

**5% OFF ALL PARTS**  
**TUNE-UP KITS INCLUDED!**

Offer only available during Spring Program. Call for more information (800) 822-0295

FIND YOUR MOUNT BAR!



## TUNE-UP KITS

P/N	DESCRIPTION	RETAIL	DEALER	SALE
1175.JRC	<b>Aerator Tune-Up Kit</b> (For Greasable Axle Models – Generation 2 Style): Six 7860-1 Tine Rotors w/Bushings, Twelve Extra Replacement Bushings, Twelve 1/2in. Machine Bushings, Six D-Washers & 1/2in. Nylon Locknuts, Two Clevis Pins & Circle Cutters	\$304.50	\$210.00	\$199.50
1175-2.JRC	<b>Aerator Tune-Up Kit</b> (For Ball Bearing Models – Generation 3 Style): Six 7860-2 Tine Rotors w/Sleeve, Twelve 1/2in. Machine Bushings, Six 1/2in. Nylon Locknuts, Two Clevis Pins & Circle Cutters	\$254.63	\$176.40	\$167.58
1175-3.JRC	<b>Aerator Tune-Up Kit</b> (For Ball Bearing Models – Generation 4 Style): Six 7860 Tine Rotors w/Sleeve, Six 5/8in. Flatwashers, Six 1/2in. Nylon Locknuts, Six Cotter Pins, Two Clevis Pins & Circle Cutters	\$231.00	\$157.50	\$149.63
1175-4.JRC	<b>Aerator Tune-Up Kit</b> (For Ball Bearing Models – Generation 4 Style): Ten 7860 Tine Rotors w/Sleeve, Ten 5/8in. Flatwashers, Ten 1/2in. Nylon Locknuts, Ten Cotter Pins, Two Clevis Pins & Safety Clips	\$383.25	\$257.25	\$244.39
1148.JRC	<b>Leaf Plow Tune-Up Kit:</b> Left & Right Tine Set, Two Skid Wheels, Four Oilite Flange Bushings, Two Clevis Pins & Circle Cutters	\$142.80	\$92.40	\$87.78
1136.JRC	<b>Tine Rake (36in.) Tune-Up Kit:</b> 27 Double Loop Tines, Four Oilite Flange Bushings, Six Clevis Pins and Circle Cutters	\$92.40	\$54.60	\$51.87
1146.JRC	<b>Tine Rake (46in.) Tune-Up Kit:</b> 35 Double Loop Tines, Four Oilite Flange Bushings, Six Clevis Pins and Circle Cutters	\$117.60	\$68.25	\$64.84
1160.JRC	<b>Tine Rake (60in.) Tune-Up Kit:</b> 47 Double Loop Tines, Four Oilite Flange Bushings, Six Clevis Pins and Circle Cutters	\$152.25	\$90.30	\$85.79



# REPLACEMENT SEATS

Uni Pro™

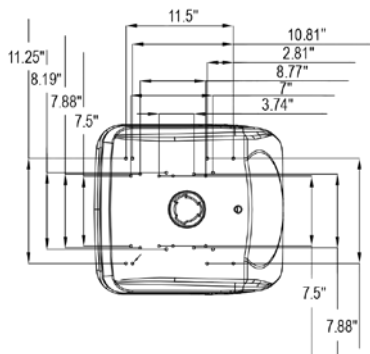
## UNI PRO 225

### BUCKET SEATS

- Features universal mounting for multiple applications for construction, lawn mower, and turf equipment
- Durable waterproof vinyl covering with central drain hole
- Ergonomic foam cushion with corrosion resistant plastic frame
- 19in. high-back seat which will replace both original 16in. and 19in. high-back seats
- Accepts operator presence switch\*
- Multiple mounting patterns

\*Note: This seat takes the Twist in Mount Operator Presence Switch.

#### Seat Mounting Pattern



8773



8774



8772



8375



8377



8376

Order 5 seats and receive a FREE store display box and a discount!

ITEM#	Color	Packaging	Applications	Retail	Qty 1
8773	Black	Each	Construction, Lawn Mower, Turf Equipment	\$119	\$89
8774	Gray	Each	Construction, Lawn Mower, Turf Equipment	\$119	\$89
8772	Yellow	Each	Construction, Lawn Mower, Turf Equipment	\$119	\$89
8375	Black	Display Box w/5 Seats	Construction, Lawn Mower, Turf Equipment	\$119	\$89
8377	Gray	Display Box w/5 Seats	Construction, Lawn Mower, Turf Equipment	\$119	\$89
8376	Yellow	Display Box w/5 Seats	Construction, Lawn Mower, Turf Equipment	\$119	\$89

## UNI PRO 229

### BUCKET SEATS

- Durable waterproof vinyl covering with central drain hole
- Ergonomic foam cushion with corrosion resistant plastic frame
- Seat dimensions: 18.9in. W x 22.64 in. H
- Uses standard M8 bolts
- Multiple mounting patterns
- Applications include compact tractor, construction, garden, industrial, lawn mower, and skid steer equipment

\*Note: This seat takes the Twist in Mount Operator Presence Switch.



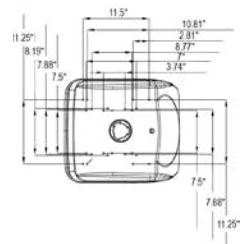
8777



8776



8775



ITEM#	Color	Retail	Qty 1
8777	Black	\$132	\$99
8776	Gray	\$132	\$99
8775	Yellow	\$132	\$99

CALL (800) 822-0295 or VISIT [www.gnedi.com](http://www.gnedi.com)

Pricing subject to change without notice.

# REPLACEMENT SEATS

## UNI PRO 129

BUCKET SEAT | MODEL #7104

Uni Pro™

Milsco XB200

- Universal seat for construction, garden, industrial, lawn mower, skid steer, and tractor equipment
- Durable waterproof black vinyl covering with central drain hole
- Ergonomic foam cushion with corrosion resistant plastic frame
- Multiple mounting patterns



## UNI PRO 129

BUCKET SEAT | MODEL #7104

Uni Pro™

Milsco XB200

- Universal seat for construction, garden, industrial, lawn mower, skid steer, and tractor equipment
- Durable waterproof black vinyl covering with central drain hole
- Ergonomic foam cushion with corrosion resistant plastic frame
- Multiple mounting patterns



ITEM#	Description	Retail	Qty 1
7104	Uni Pro 129 Bucket Seat	\$171	\$128

## UNI PRO 480/481

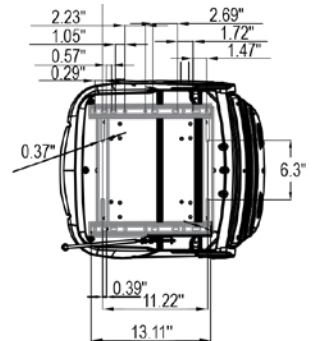
SEAT ASSEMBLIES | MODEL #8779 | 8778

NEW ARRIVALS

- Universal seat for commercial turf, construction, ground service, industrial, material handling, skid steer, and turf equipment
- Heavy-duty, water-resistant covering
- Vacuum formed with ergonomic polyurethane cushions
- Adjustable backrest and slide rails



Uni Pro™



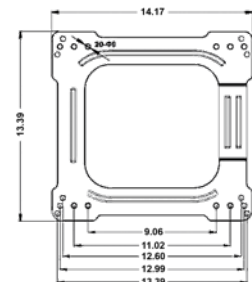
ITEM#	Color	Model Number	Retail	Qty 1
8779	Gray Fabric	Uni Pro 480	\$199	\$149
8778	Black Vinyl	Uni Pro 481	\$199	\$149

## UNI PRO 52

FORKLIFT SEAT | MODEL #8001

Uni Pro™

- Designed with a universal mounting pattern that fits select Daewoo®, Komatsu®, Mitsubishi®, Nissan®, TCM® and Toyota® forklifts
- Heavy-duty black vinyl covering
- Vacuum formed cushions
- 60° adjustable backrest for individual fit
- Retractable seat belt and hip restraints for added safety



ITEM#	Description	Retail	Qty 1
8001	Uni Pro 52 Forklift Seat	\$399	\$299



# REPLACEMENT SEATS

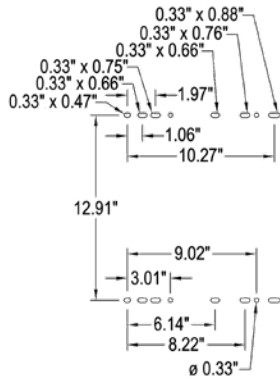
## UNI PRO 136

SEAT & MECHANICAL SUSPENSION | MODEL #7882

Uni Pro™

Grammer MSG651/531

- Universal seat with multiple applications for forklift, skid steer and turf equipment
- Durable black vinyl covering
- Mechanical suspension with travel of 2.38in.
- Vacuum formed narrow seat cushion of 18.5in.
- Adjustable backrest and mechanical lumbar support
- Retractable seat belt for added safety
- Weight indicator with 100 - 375 lb. adjustment
- Accepts operator presence switch



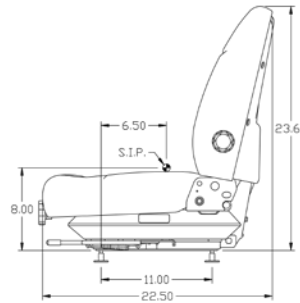
## UNI PRO 236

SEAT & MECHANICAL SUSPENSION | MODEL #7924

Uni Pro™

Milsco V5300

- Universal seat with multiple applications for industrial, small construction, and turf equipment
- Durable black vinyl covering with central drain hole
- Mechanical suspension with travel of 2.36in.
- Contoured foam cushions
- Backrest angle adjustment from 5° forward to 15° backward
- Manual weight adjustment up to 270 lbs.



ITEM#	Description	Retail	Qty 1
7882	Uni Pro 136 Suspension Seat	\$769	\$576

ITEM#	Description	Retail	Qty 1
7924	Uni Pro 236 Suspension Seat	\$795	\$596

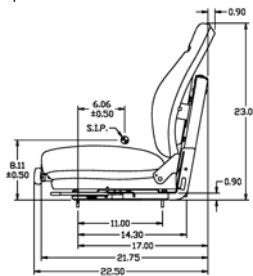
## UNI PRO 336

SEAT & MECHANICAL SUSPENSION | MODEL #7939

Uni Pro™

Milsco CR100

- Universal seat with multiple applications for agriculture, forklift, industrial, material handling, small construction, and turf equipment
- Durable black vinyl covering
- Mechanical suspension with travel of 3in.
- Contoured foam cushions
- Manual weight adjustment
- Accepts operator presence switch



ITEM#	Description	Retail	Qty 1
7939	Uni Pro 336 Suspension Seat	\$678	\$508

**More Seats Available Online!**  
Visit our Replacement Seats section.



CALL (800) 822-0295 or VISIT [www.gnedi.com](http://www.gnedi.com)

Pricing subject to change without notice.

# LED LIGHTS

## WARNING LIGHT BAR

34IN. AMBER | MODEL #TL1400.TIG



- Ensure safety
- Efficient, durable, long-lasting
- Low profile design
- 17 Flashing Patterns
- 12V to 24V Input Voltage
- 34.25in. x 3.75in. x 11.75in. (W x H x D)
- Includes controller, wiring harness and mounting brackets
- Ideal for agriculture, ATV, construction, and vehicle equipment



ITEM#	Light Pattern	Retail	Qty 1
TL1400.TIG	360° Flashing w/Bright 3W LED Bulbs	\$446.25	\$312.38

## WARNING LIGHT BAR

46IN. AMBER | MODEL #TL1500.TIG



- Ensure safety
- Efficient, durable, long-lasting
- Low profile design
- 17 Flashing Patterns
- 12V to 24V Input Voltage
- 46in. x 3.75in. x 11.75in. (W x H x D)
- Includes controller, wiring harness and mounting brackets
- Ideal for agriculture, ATV, construction, and vehicle equipment



ITEM#	Light Pattern	Retail	Qty 1
TL1500.TIG	360° Flashing w/Bright 3W LED Bulbs	\$572.25	\$400.58

## ROPS LIGHT KIT

UNIVERSAL | MODEL #TLROPSKIT-1



- An ideal solution for adding LED Lights to your zero-turn mower or compact tractor
- Polycarbonate lens with die-cast aluminum housing/heatsink
- IP68 rated (dust proof and water-resistant)
- Kit is universal, depending on the battery location
- Comes with interchangeable mounts to fit multiple dimensions of existing ROPS
- Included bracket dimensions (W x H): 2in. x 2in., 3in. x 1.5in., and 3in. x 2in.



ITEM#	Light Pattern	Effective Lumens	Watts	Amp Draw	Retail	Qty 1
TLROPSKIT-1	Flood Beam	1,350 (2,700 Combined)	18 (36 Combined)	1.5 (3 Combined)	\$169.00	\$118.30

## LIGHT BARS

SINGLE ROW



- Flood/spot beam pattern
- Durable polycarbonate lens
- built to be RoHS compliant
- IP68 rated so that no dust will get in and the light can be continuously submerged in water with no side effects
- Filters eliminate unwanted radio and electromagnetic frequencies from external sources
- Die-cast aluminum housing/heatsink
- Heavy-duty stainless steel hardware and mounting brackets are included



TL10SRC.TIG



TL20SRC.TIG



TL6SRC.TIG

ITEM#	Size (W x H)	LED Qty	Effective Lumens	Watts	Amps	Input Voltage	Retail	Qty 1
TL6SRC.TIG	7in. x 1.75in.	6	3,400	30	2.5	12 to 24	\$94.50	\$66.15
TL10SRC.TIG	11in. x 1.75in.	10	5,700	50	4.2	12 to 24	\$135.45	\$94.82
TL20SRC.TIG	21in. x 1.75in.	20	11,300	100	8.3	12 to 24	\$204.75	\$143.33

**More LED Lights Available Online!**  
Visit our Lighting section.





# TRACTOR ACCESSORIES

## 1-STEP TRACTOR STEP

UNIVERSAL BOLT-ON FLEX | MODEL #3455

- Durable black powder coat finish
- Heavy-duty all-steel construction
- 2 flexible belted rubber side brackets
- Easy to install and mounts onto steps
- No drilling required; hardware included
- Universal fit for construction and tractor equipment



**NEW ARRIVALS**

ITEM#	Description	Retail	Qty 1	Qty 4
3455	14.5in. Wide Flex 1-Step	\$99	\$74.00	\$71.78

## 1-STEP TRACTOR STEP

UNIVERSAL BOLT-ON FLEX | MODEL #3455

- Durable black powder coat finish
- Heavy-duty all-steel construction
- 2 flexible belted rubber side brackets
- Easy to install and mounts onto steps
- No drilling required; hardware included
- Universal fit for construction and tractor equipment



**NEW ARRIVALS**

ITEM#	Description	Retail	Qty 1	Qty 4
3455	14.5in. Wide Flex 2-Step	\$172	\$129.00	\$125.13

## WHEEL DOLLY

3,800 LBS. | MODEL #1400

- Efficient operation designed for the fast and safe removal and installation of large wheels
- Equipped with a two-stage hydraulic pump for smooth, controlled lifting action
- Features two roller tables with three rollers each, allowing for full 360 rotation and precise wheel alignment during installation or removal
- Includes dual support handles for easy steering, four 6in. caster wheels, and one 2.5in. caster wheel, providing excellent mobility and stability
- Capable of managing semi and tractor tires up to 800 metric, making it ideal for both agricultural and industrial wheels
- Perfect for shops, farms, and garages



**NEW ARRIVALS**

ITEM#	Capacity	Accommodates Wheel Sizes	Retail	Qty 1
1400	3,800 lbs.	39in. to 86in. in Diameter / Up to 31in. Wide	\$3,199	\$2,399

## BEACON LIGHT

AMBER WARNING | MODEL #TL2000.TIG

- 3 Adjustable patterns
- Ensure safety
- Efficient, durable, long-lasting
- Reattach lens cover by twisting into lock position
- Ideal for agriculture and industrial equipment
- 48 Watts; 4 Amp Draw
- 12V to 24V Input Voltage



**NEW ARRIVALS**

ITEM#	Light Pattern	Retail	Qty 1
TL2000.TIG	360° Flashing / Flood	\$78.75	\$55.65

## BEACON LIGHT

AMBER WARNING | MODEL #TL2100.TIG

- Flashing / Flood light pattern
- Ensure safety
- Efficient, durable, long-lasting
- Attach to equipment with solid/fixed mount
- Includes mounting pad and stainless steel hardware
- Ideal for agriculture and industrial equipment
- 2.75in. x 5.25in. (D x H)
- 12V to 24V Input Voltage



**NEW ARRIVALS**

ITEM#	Light Pattern	Retail	Qty 1
TL2100.TIG	360° Flashing / Flood	\$31.50	\$22.05

CALL (800) 822-0295 or VISIT [www.gnedi.com](http://www.gnedi.com)

Pricing subject to change without notice.

# SHOP SUPPLIES

## HD RATCHET TIE DOWN ULTRA-TOW

GREEN | MODEL #5686144

- Ideal for use with lighter loads such as dirt bikes, ATVs, and lawnmowers
- Steel core-coated S-hooks won't scratch, rust or mar surfaces
- 1,500 lb. breaking strength
- 500 lb. working load



ITEM#	Description	Retail	Qty 1	Qty 4
5686144	1in. x 14ft. / 4-Pack	\$29.99/ea. \$119.96/ Case	<b>\$89.97/ Case of 4 Packs</b>	<b>\$87.27/ Case of 4 Packs</b>

## HD RATCHET TIE DOWN ULTRA-TOW

ORANGE | MODEL #5686195

- Ideal for heavier loads hauled in a large pick-up or medium trailer. Also for motorcycles, smaller boats, and appliances
- Steel core-coated S-hooks won't scratch, rust or mar surfaces
- Provides excellent security for traveling longer distances
- 3,000 lb. breaking strength
- 1,000 lb. working load



ITEM#	Description	Retail	Qty 1	Qty 4
5686195	1in. x 10ft. / 4-Pack	\$27.99/ea. \$83.97/ Case	<b>\$62.98/ Case of 4 Packs</b>	<b>\$61.09/ Case of 4 Packs</b>

## SELF-TENSIONING RATCHET STRAPS

XTP AUTOMATIC

- Will re-tighten slack webbing to ensure the cargo stays tight and stay:
- PATENTED design features two large coil springs that automatically create extra tension and tighten the strap in case of load shift
- Super strong welded double hooks for a strong hold that's easy to connect plus black E-coating on each hook for corrosion resistance
- Strong and abrasion-resistant polyester webbing with an anti-cut and anti-abrasion black edge that provides extended durability
- Can be used for the heaviest loads hauled on large trailers or flatbeds, and is also great for tractors, vehicles and other large equipment



5702634



5702562

NEW ARRIVALS

ULTRA-TOW



ITEM#	Working Load	Breaking Strength	Hook Type	Color	Size	Retail	Qty 1	Qty 4
5702634	1,333 lbs.	4,000 lbs.	J-Hook	Gray	1.5in. x 14ft.	\$47.99	<b>\$35.99</b>	<b>\$34.91</b>
5702562	1,333 lbs.	4,000 lbs.	J-Hook	Yellow	1.5in. x 14ft.	\$37.99	<b>\$28.49</b>	<b>\$27.64</b>

**More Straps, Ties, and Rope Available Online!**

Visit our Shop Supplies section.





# SHOP SUPPLIES

## RATCHET TIE DOWNS

YELLOW WITH FLAT & J-HOOKS

- Provides extra stability for traveling long distances.
- Can be used for the heaviest loads hauled on large trailers or flatbeds and is also great for tractors, vehicles, and other large equipment
- Double flat or J-hooks for easy attachment
- Webbing is yellow polyester
- 10,000 lb. breaking strength
- 3,300 lb. working load



ITEM#	Type / Size	Retail	Qty 1 Case	Qty 4 Cases
5866136	Flat Hooks 2in. x 27ft. / Single	\$11.99/Ea. \$71.94/Case	<b>\$53.96/ Case of 6 Packs</b>	<b>\$52.34/ Case of 6 Packs</b>
5866152	J-Hooks 2in. x 27ft. / Single	\$15.99/Ea. \$95.94/Case	<b>\$71.96/ Case of 6 Packs</b>	<b>\$69.80/ Case of 6 Packs</b>

## TOW STRAP

MODEL #5702554

- Can handle the tough towing jobs
- Reinforced loop ends for quick connections
- Strong and abrasion-resistant polyester yellow webbing
- 6,666 lbs. working load
- 20,000 lbs. breaking strength



ITEM#	Size	Retail	Qty 1	Qty 4
5702554	4in. x 30ft. Tow Strap	\$19.99	<b>\$14.99</b>	<b>\$14.54</b>

## HYDRAULIC LIFT TABLE CART

MODEL #57755

- Features an ergonomic scissors design
- Rapid lift action takes just 8 strokes to reach maximum height with no load
- Heavy-duty all-steel construction
- Nonslip rubber cover on foot pedal
- 2 swivel casters with brakes and 2 fixed
- 14-1/4in. - 50-3/4in. lift range
- 27-3/4in. x 17-3/4in. platform size



ITEM#	Capacity	Retail	Qty 1	Qty 4
57755	500 lbs.	\$499.99	<b>\$349.99</b>	<b>\$339.49</b>

## ALUMINUM HAND TRUCK

MODEL #67833

- Durable aluminum construction
- Comfortable, ergonomic, continuous handles
- Wheels roll smoothly
- 600lb. capacity
- 10in. x 3.2in. Polyurethane tires
- Toe plate size: 7-1/8in. W x 18in. D
- Ideal for the jobsite or the warehouse



ITEM#	Description	Retail	SPECIAL	Qty 1	Qty 4
67833	Hand Truck	\$149.99	<b>\$104.99</b>	<b>\$100.00</b>	<b>\$97.00</b>

## UTILITY CART

MODEL #53412

- Durable aluminum construction
- Comfortable, ergonomic, continuous handle
- Wheels roll smoothly
- 600lb. capacity
- 10in. x 3.2in. Polyurethane tires
- Toe plate size: 7-1/8in. W x 18in. D
- Ideal for the jobsite or the warehouse



ITEM#	Description	Retail	SPECIAL	Qty 1	Qty 4
67833	Hand Truck	\$159.99	<b>\$111.99</b>	<b>\$106.00</b>	<b>\$103.00</b>

CALL (800) 822-0295 or VISIT [www.gnedi.com](http://www.gnedi.com)

Pricing subject to change without notice.

# LAWN & GARDEN

## WOOD CHIPPER/SHREDDER

POWERHORSE

MODEL #115061

- Highly effective double-edged reversible hardened steel cutting blade
- 16in. pneumatic tires
- Couple V-belt drive for smooth operation
- Towable behind an ATV or UTV with 2in. coupler



ITEM#	Engine	Brush Capacity	RPM	Chipper Drum	Retail	Qty 1	Qty 4
115061	Powerhorse 420cc OHV	5in.	3,600	9in.	\$1,399.99	\$1,049.00	\$1,018.00

## HIGH WHEEL TRIMMER

POWERHORSE

MODEL #115069

- Manual push trimmer
- 14in. high wheel poly tires
- Dual line head
- Easy maneuverability
- Comes fully equipped and ready to work with a 16.9-oz. (500ml) bottle of oil, spark plug wrench, oil funnel, and 10-pack of 4mm x 4mm square trimmer lines



ITEM#	Engine	Cutting Width	Max. RPM	Retail	Qty 1	Qty 4
115069	Powerhorse 173cc OHV	22in.	3,000	\$329	\$247	\$239



# LAWN & GARDEN

## ONE PERSON EARTH AUGER

KIT W/8IN. BIT | MODEL #5719073

- Powerful 52cc engine
- Shut off switch built into trigger throttle
- Easy grip handles
- Shock absorbing spring
- Replaceable fish tail point and blade
- Kit includes auger head and 8in. bit



POWERHORSE

ITEM#	Engine	Mix Ratio	Retail	Qty 1	Qty 4
5719073	Powerhorse 52cc 2-Cycle	30:1	\$285	\$214	\$207

## WALK-BEHIND JET BLOWER

MODEL #5818733

- Handles even the heaviest, wettest yard debris
- Fixed nozzle adjusts 3 ways for 15 Down/ Straight-Level/15 Up air flow projection
- Soft grip ergonomic handle features adjustable height for comfort
- 6in. solid swiveling front wheel and 10in. pneumatic rear wheels roll smoothly over any terrain
- Recoil start



NEW ARRIVALS



POWERHORSE

ITEM#	Engine	MPH	Impeller Speed	CFM	Retail	Qty 1	Qty 4
5818733	Powerhorse 7 HP, 212cc	150	3,600 RPM	1,200	\$499.99	\$375.00	\$364.00

## TRUCK LOADER

CHIPPER SHREDDER | MODEL #110095

- Commercial-grade, heavy-duty, all-steel loader
- Powerful EPA certified engine
- Skid mount design
- Includes 6in. diameter x 10ft. vacuum intake hose and skid mount
- Optional receiver hitch mount, truck loader tailgate mount available



POWERHORSE

ITEM#	Engine	Intake Hose	Retail	Qty 1	Qty 4
110095	Powerhorse 4-Stroke, 208cc OHV	6in. x 10ft.	\$1,249.99	\$937.00	\$909.00

CALL (800) 822-0295 or VISIT [www.gnedi.com](http://www.gnedi.com)

Pricing subject to change without notice.

# LAWN & GARDEN

## WALK-BEHIND BLOWERS

**BRAVE**

MODEL #BRPB160H | #BRPB140H

- High volume and high velocity output
- Rubber vibration mounted handles
- Adjustable and reversible handles
- Foot activated front discharge directs air forward
- 4.625in. x 5.75in. Discharge opening
- 12 Gauge steel construction
- Flat-free tires
- (8) Aluminum Blade Impellers: 17in. on BRPB160H; 14in. on BRPB140H



BRPB160H



BRPB140H

**HOT BUYS**

ITEM#	Engine	CFM	Retail	Dealer	Qty 1	Qty 4
BRPB160H	Honda GX270	2,500	\$1,869	<del>\$1,406</del>	\$1,336	\$1,296
BRPB140H	Honda GX160	1,800	\$1,229	<del>\$1,073</del>	\$996	\$966

## TOW-BEHIND BLOWER

**BRAVE**

MODEL #BRPB180HE

- High volume and high velocity output
- Powerful Honda engine with electric start
- Remote controlled engine idle speed
- 6 Gallon fuel tank
- 11 GA Primary material
- 4.625in. x 5.75in. Discharge openings
- Remote controlled right or left blowing chutes
- 11 Gauge steel construction
- Rugged and durable with powder-coat finish
- Flat-free tires



ITEM#	Engine	CFM	Retail	Dealer	Qty 1	Qty 4
BRPB180HE	Honda GXV390	2,750	\$3,749	<del>\$3,040</del>	\$2,888	\$2,801

## TRUCK LOADERS

**BRAVE**

MODEL #BRPTL140H | #BRPTL160B

- Simple operation
- Two user handles for full control
- Steel impeller that shreds leaves and debris with 12:1 ratio
- Easy access to engine and controls for painless adjustments and repairs
- Clear urethane intake hose to quickly monitor and identify blockages
- Combine with Brave Walk-Behind Blower for best use
- Recoil Start (BRPTL140H); Electric Start (BRPTL160B)
- 8in. x 10ft. Hose (BRPTL140H); 10in. x 10ft. Hose (BRPTL160B)



BRPTL140H



BRPTL160B



ITEM#	Engine	CFM	Retail	Qty 1	Qty 4
BRPTL140H	Honda GX390	3,500	\$3,939	\$3,319	\$3,219
BRPTL160B	18HP Briggs	4,400	\$5,962	\$4,471	\$4,337



# SPRAYERS

## BROADCAST & SPOT SPRAYERS

ELECTRIC POWERED

- 100% continuous-duty rating
- Large capacity proprietary tanks that are UV-resistant and compatible with virtually all pesticides
- Spring-loaded, breakaway boom arms fold away for compact storage (tow-behind models)
- Easy to empty tank with bottom drain
- Attaches to ATV or garden tractor



SCAN HERE TO SEE THE FULL LINE!



## REPLACEMENT PUMPS

DIAPHRAGM PUMPS & POTABLE WATER PUMPS

- 100% continuous-duty cycle
- Automatically turns off when no flow is required to conserve battery power
- Self-priming (NorthStar pumps only)
- Oversized motors run lower amps, produces less heat, and offers longer life (NorthStar pumps only)
- Potable water pumps safe for drinking water



SCAN HERE TO SEE THE FULL LINE!



## LI-ION NEVER PUMP SPRAYER KITS

LITHIUM-ION BATTERY POWERED

- Lithium-ion battery powers the electric air pump (included)
- Easy-to-use, Never Pump technology for consistent pressure with no pumping
- Ideal for weed prevention, pest control, fertilizing and watering
- 2 or 4 gallon tank



STRONGWAY

SCAN HERE TO SEE THE FULL LINE!



## PORTABLE SPRAYERS

HAND-HELD SPRAYERS

- SureSpray filters prevents clogging
- Easy, no-mess filling
- Comfortable handles
- Adjustable nozzle for a variety of uses



ironton.  
STRONGWAY

SCAN HERE TO SEE THE FULL LINE!





PROMO CODE: **PRO-JRCO**

**12/1/24 - 3/31/25**

## 2025 SPRING DEALER PROGRAM

TOLL FREE WEBSITE  
(800) 822-0295 [www.gnedi.com](http://www.gnedi.com)

## PAYMENT TERMS

TOTAL	TERMS
< \$2,500	<b>Net 30</b>
\$2,501 - \$5,000	<b>Net 60</b>
\$5,001 - \$8,000	<b>Net 90</b>
\$8,001 - \$12,000	<b>Net 120</b>
\$12,001+	<b>Net 120</b>

## FREIGHT PROGRAM



WEIGHT	FEDEX SMALL PACKAGE
1 - 15 lbs.	<b>\$12.00</b>
16 - 30 lbs.	<b>\$25.00</b>
31 - 50 lbs.	<b>\$35.00</b>
51 - 70 lbs.	<b>\$45.00</b>
71 - 99 lbs.	<b>\$55.00</b>
100 - 150 lbs.	<b>\$75.00</b>
MudMixer	<b>\$120.00</b>

SALES VALUE	LTL
\$1 - \$2,500	<b>\$200.00</b>
\$2,501 - \$5,000	<b>8% of Total Invoice</b>
\$5,001 - \$8,000	<b>6% of Total Invoice</b>
\$8,001 - \$12,000	<b>4% of Total Invoice</b>
\$12,000 +	<b>FREE FREIGHT</b>

### Additional Fees\*

Residential / Non-Dock / Limited Access Delivery:	\$100.00
Liftgate Fee:	\$75.00
Excess Length Charge:	\$150.00
High Freight Class:	\$150.00

\*Fees are added to existing freight costs

\*PRICING/TYPOGRAPHICAL ERRORS: JRCO Inc. reserves the right to correct any typographical or pricing errors on any/all print/electronic media. Prices are subject to change without notice. TERMS: Discount terms cannot be paid for by credit/debit card. AVAILABILITY: Special Hot Buy Prices are only valid while supplies last. QUALIFYING ORDERS: Unit quantity discounts to received term incentives is restricted to qualifying units. \*\*Available to qualifying and approved U.S. dealer/rental customers only. Terms are available to JRCO open account holders in good standing. No re-dating or inventory return will be allowed to clear a due balance. Late payment will terminate program terms. \*\*\*FREIGHT DISCLAIMER: 48 Contiguous States Only. Extraordinary delivery requirements may necessitate an additional shipping fee. Island, mountain and rural/remote location deliveries are subject to longer delivery times than stated above, additional fees and possible cancellation when outside our delivery zone.